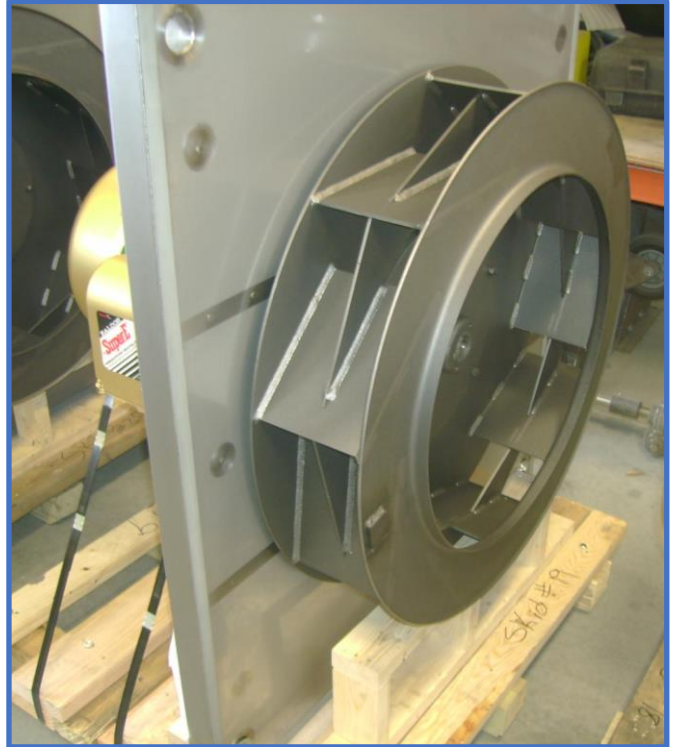




Air circulation fans create the airflow that dries the product on the conveyor.

Cresco Process Systems offers a variety of fan designs to meet our customer's needs. The most common fan type is centrifugal, either direct drive or belt driven.

Cresco works with our customers to determine the proper fan sizing for each specific application. We also size and provide exhaust and inlet (make-up air) fans.



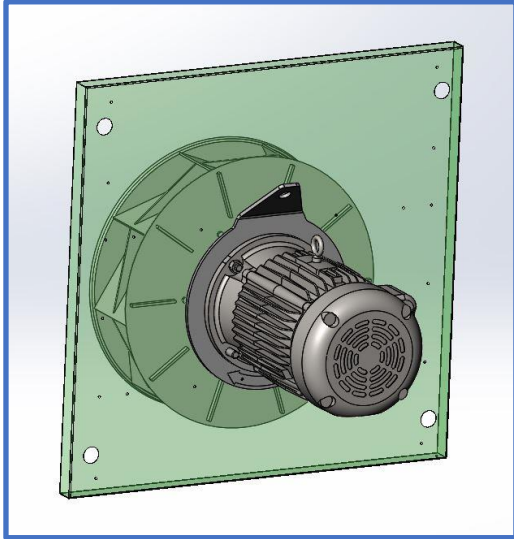
## Options:

- Centrifugal or axial
- Direct or belt drive
- Different fan orientations
- VFD compatible

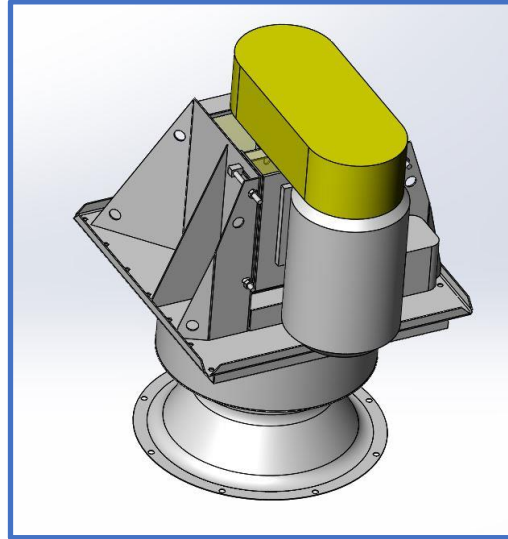


# Air Circulation Fans

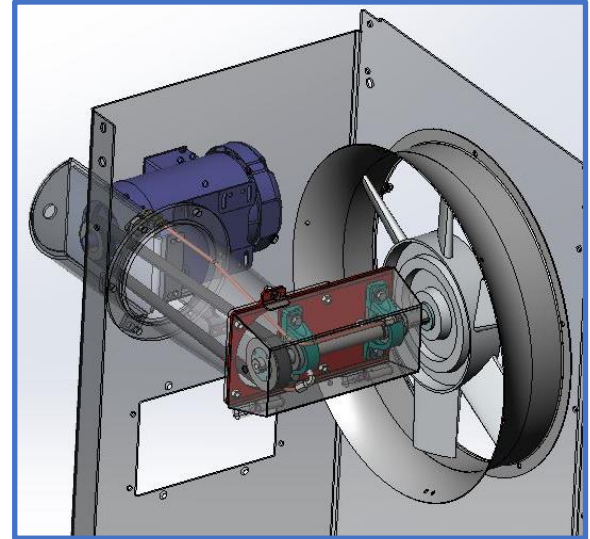
## Centrifugal – Direct Drive



## Centrifugal – Belt Drive

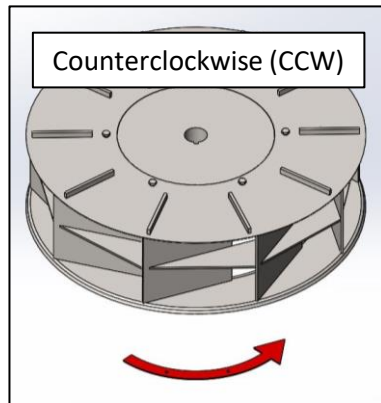
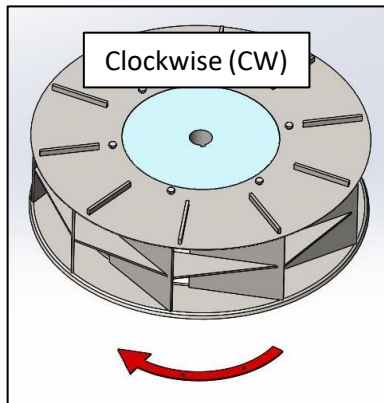


## Axial



Cresco dryers can use either direct drive or belt driven centrifugal fans

Cresco supplies axial fans on retrofits of existing axial fan dryers



Note: fan direction is listed as viewed from the motor end